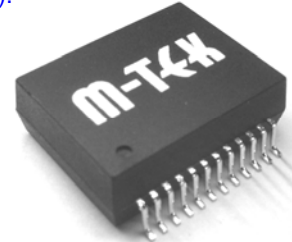


## 100/1000 BASE-T TRANSFORMER MODULES

- ☛ **D**esign For Long Hual Gigabit Ethernet 100/1000 BASE-Tx Full Duplex Applications.
- ☛ **L**ow Profile Surface Mount Packaging Designed Reflow Process ( 250°C peak ).
- ☛ **C**ompliant With IEEE 802ab draft standards for 1000Base-T.
- ☛ **S**upports 4 Pairs Of Category 5 UTP Cable.
- ☛ **F**or RoHS Part Add Suffix G.



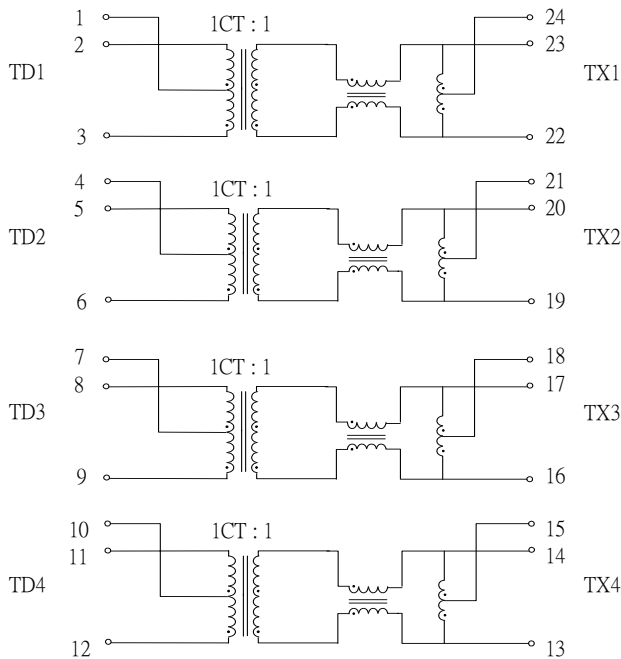
### ELECTRICAL SPECIFICATIONS @ 25°C

Part Number	Insertion Loss (dB max)		Return Loss (dB min)			CMRR (dB min)			Crosstalk (dB min)	
	0.3-100MHz	0.3-30MHz	40MHz	50MHz	60-80MHz	0.3-30MHz	60MHz	80-100MHz	0.3-30MHz	60-100MHz
G24101MK	-1.1	-18	-14.4	-13.1	-12	-40	-35	-30	-35	-32
G24102MK*	-1.1	-18	-14.4	-13.1	-12	-40	-35	-30	-35	-32
G24104MK*	-1.1	-18	-14.4	-13.1	-12	-40	-35	-30	-35	-32
G24106MK*	-1.0	-18	-14.4	-13.1	-12	-42	-37	-33	-35	-32

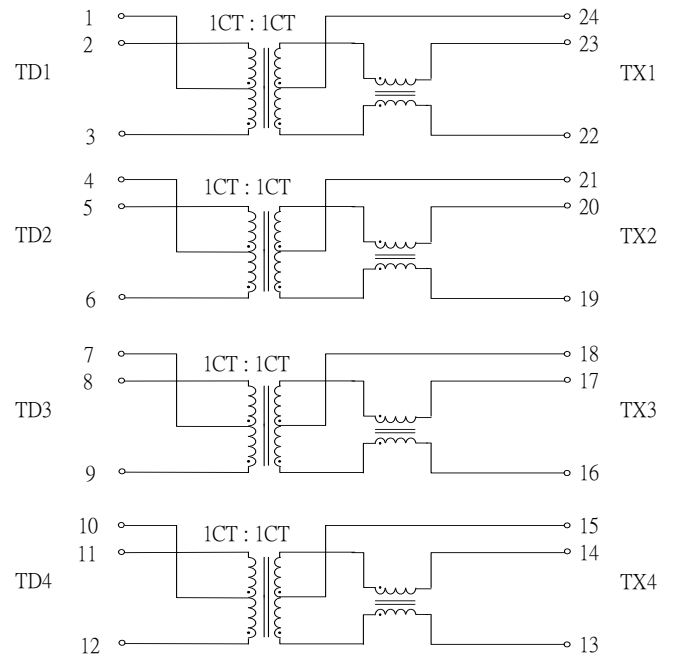
**Note :** All models meet Isolation Voltage (HiPot) of 1500Vrms  
\* with Extended Temperature(-40°C to +85°C)

### SCHEMATICS

#### G24101MK, G24104MK



#### G24102MK



**Head Office**  
MAGTEK TECHNOLOGY INC.  
Tel : 886-3-3694878  
Fax: 886-3-3690778

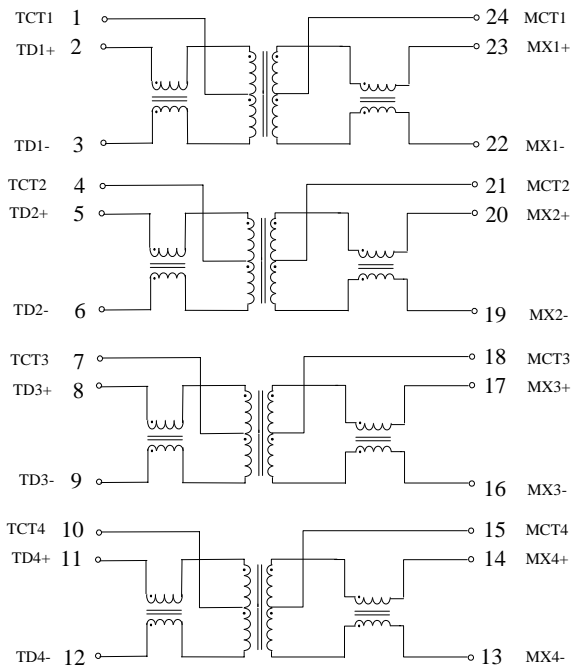
**ShenZhen Office**  
MAGTEK TECHNOLOGY INC.  
Tel : 286-755-83347151  
Fax: 286-755-83363151

**China Factory**  
MAGTEK INTERNATIONAL INC.  
Tel : 286-769-86636536  
Fax: 286-769-86326256

## 100/1000 BASE-T TRANSFORMER MODULES

### SCHEMATICS (CONTINUED)

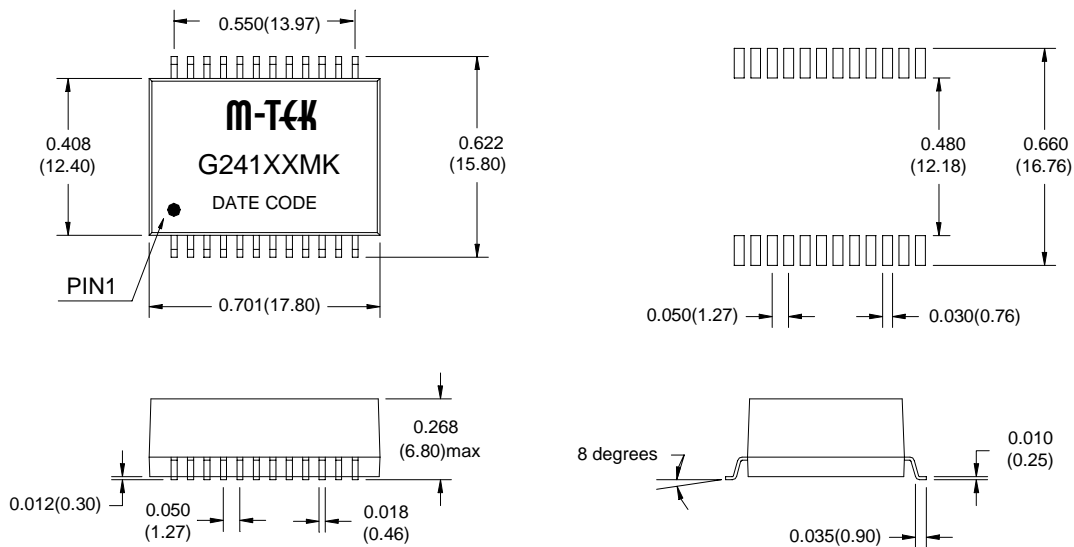
#### G24106MK



## 100/1000 BASE-T TRANSFORMER MODULES

### MECHANICAL SPECIFICATIONS

#### G241XXMK



DIMENSIONS : INCHES/(mm) UNLESS OTHERWISE SPECIFIED ALL TOLERANCES ARE  $\pm 0.010(0.25)$ .

Head Office  
MAGTEK TECHNOLOGY INC.  
Tel : 886-3-3694878  
Fax: 886-3-3690778

ShenZhen Office  
MAGTEK TECHNOLOGY INC.  
Tel : 286-755-83347151  
Fax: 286-755-83363151

China Factory  
MAGTEK INTERNATIONAL INC.  
Tel : 286-769-86636536  
Fax: 286-769-86326256