

IO/IOO BASE-T TRANSFORMER MODULES

- ☞ **C**ompliant With IEEE 802.3 standards including Baseline Wander Compensation specification of 350uH OCL when biased at 8mA from 0°C to 70°C
- ☞ **L**ow Profile Surface Mount Packaging Designed For Hi-Temp Reflow Process (250 °C peak)
- ☞ **F**or RoHS Part Add Suffix G.

RoHS
Compliant



ELECTRICAL SPECIFICATIONS @ 25°C (Operating Temperature 0°C to 70°C)

Part Number	Insertion Loss (dB max)		Return Loss (dB min)			CMRR (dB min)			Crosstalk (dB min)	
	0.3-100MHz	0.3-30MHz	40MHz	50MHz	60-80MHz	0.3-30MHz	60MHz	80-100MHz	0.3-60MHz	60-100MHz
H16125MC	-1.1	-18	-16	-14.5	-12	-40	-35	-30	-42	-35
H16126MC	-1.1	-18	-16	-14.5	-12	-40	-35	-30	-42	-35
H16127MC	-1.1	-18	-16	-14.5	-12	-40	-35	-30	-42	-35
H16128MC	-1.1	-18	-16	-14.5	-12	-40	-35	-30	-42	-35
H16129MC	-1.1	-18	-16	-14.5	-12	-40	-35	-30	-42	-35
H16130MC*	-1.1	-18	-16	-14.5	-12	-40	-35	-30	-42	-35
H16131MC*	-1.1	-18	-16	-14.5	-12	-40	-35	-30	-42	-35
H16133MC	-1.1	-18	-16	-14.5	-12	-40	-35	-30	-42	-35
H16134MC	-1.1	-18	-16	-14.5	-12	-40	-35	-30	-42	-35
H16135MC*	-1.1	-18	-16	-14.5	-12	-40	-35	-30	-42	-35
H16136MC	-1.1	-18	-16	-14.5	-12	-40	-35	-30	-42	-35
H16137MC	-1.1	-18	-16	-14.5	-12	-40	-35	-30	-42	-35
H16138MC	-1.1	-18	-16	-14.5	-12	-40	-35	-30	-42	-35
H16139MC	-1.1	-18	-16	-14.5	-12	-40	-35	-30	-42	-35

Note : All models meet Isolation Voltage (HiPot) of 1500Vrms
H16135MC meet Isolation Voltage (HiPot) of 2500Vrms 60S
* with Extended Temperature(-40°C to +85°C)

Head Office
MAGTEK TECHNOLOGY INC.
Tel : 886-3-3694878
Fax: 886-3-3690778

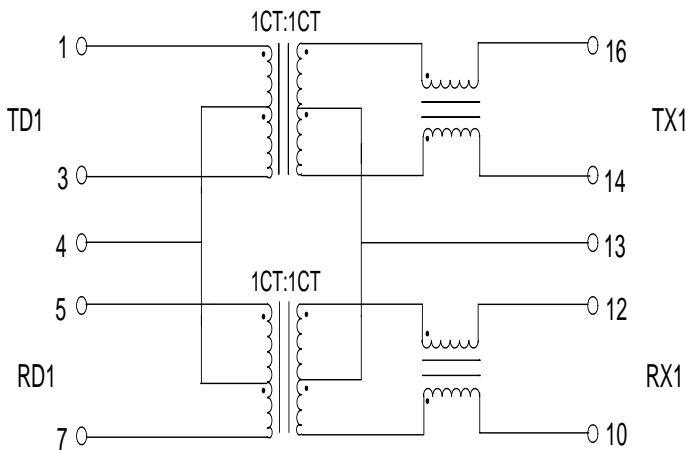
ShenZhen Office
MAGTEK TECHNOLOGY INC.
Tel : 286-755-83347151
Fax: 286-755-83363151

China Factory
MAGTEK INTERNATIONAL INC.
Tel : 286-769-886636536
Fax: 286-769-886326256

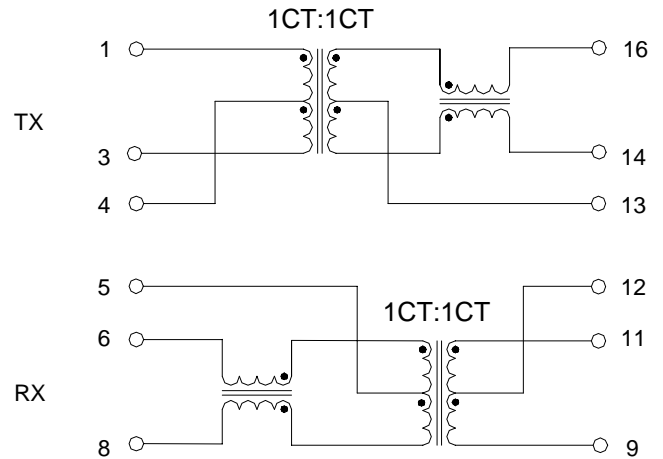
IO/IOO BASE-T TRANSFORMER MODULES

SCHEMATICS (Continued)

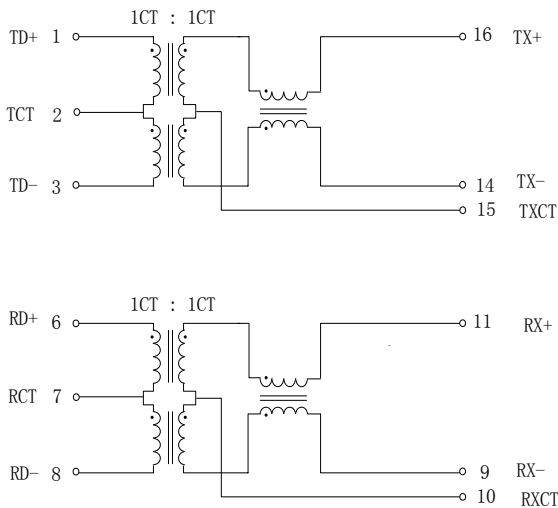
H16125MC



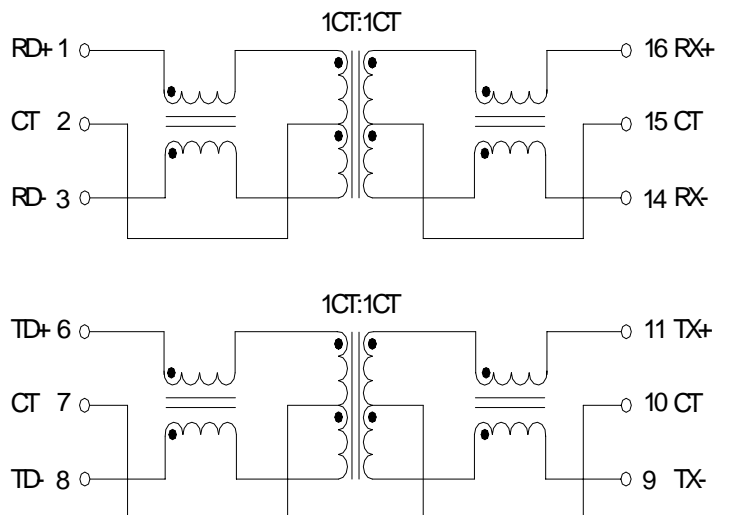
H16126MC



H16127MC, H16131MC, H16135MC



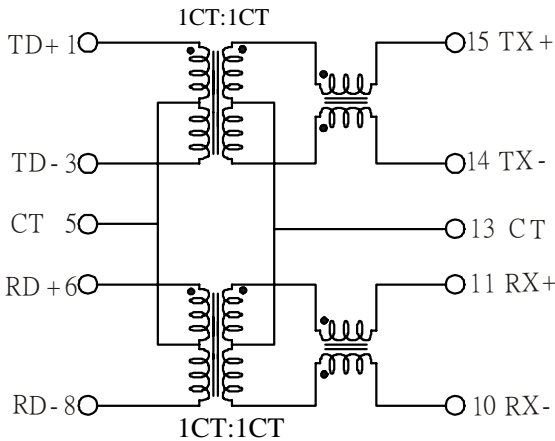
H16128MC



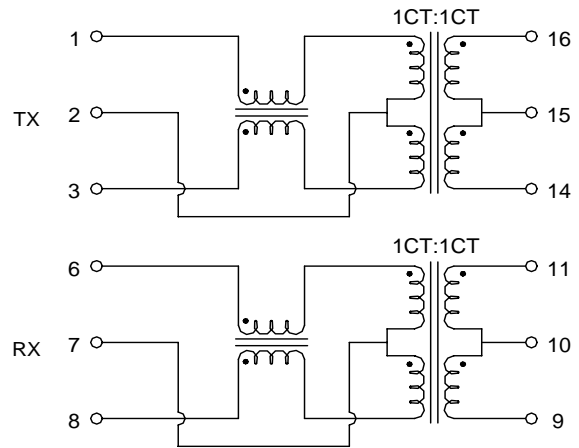
IO/IOO BASE-T TRANSFORMER MODULES

SCHEMATICS (Continued)

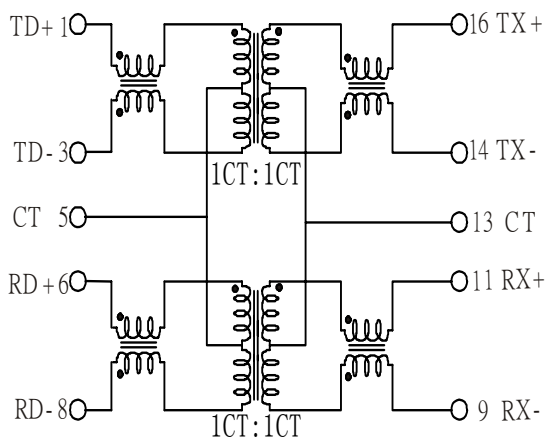
H16129MC



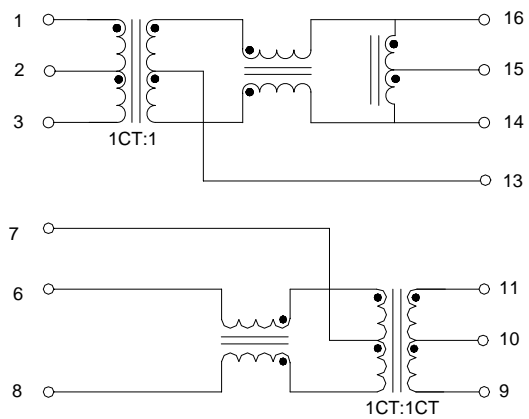
H16130MC



H16133MC



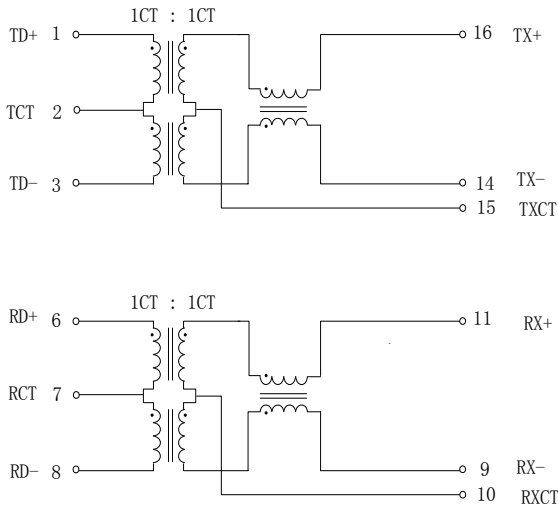
H16134MC



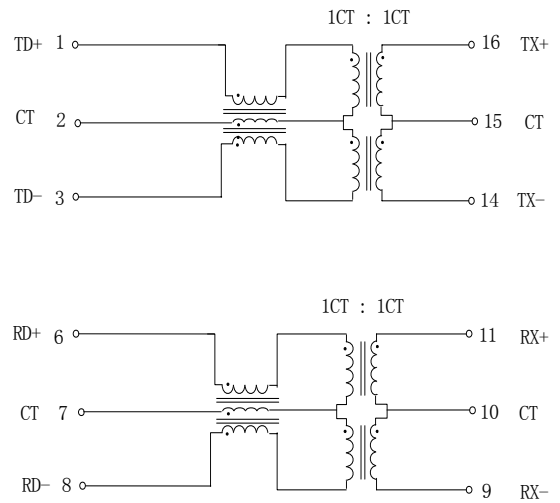
IO/IOO BASE-T TRANSFORMER MODULES

SCHEMATICS (Continued)

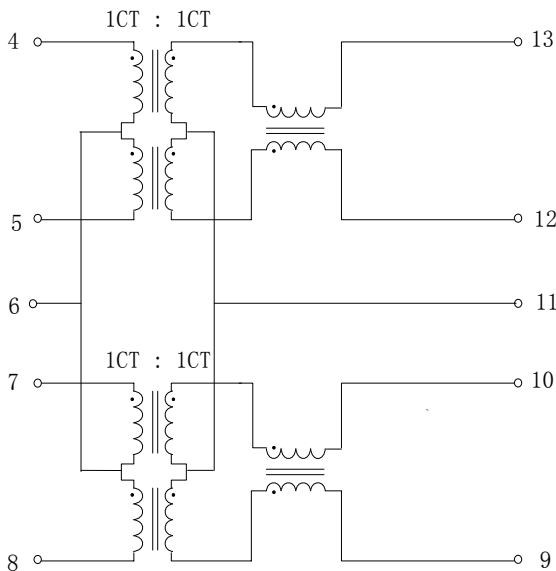
H16136MC



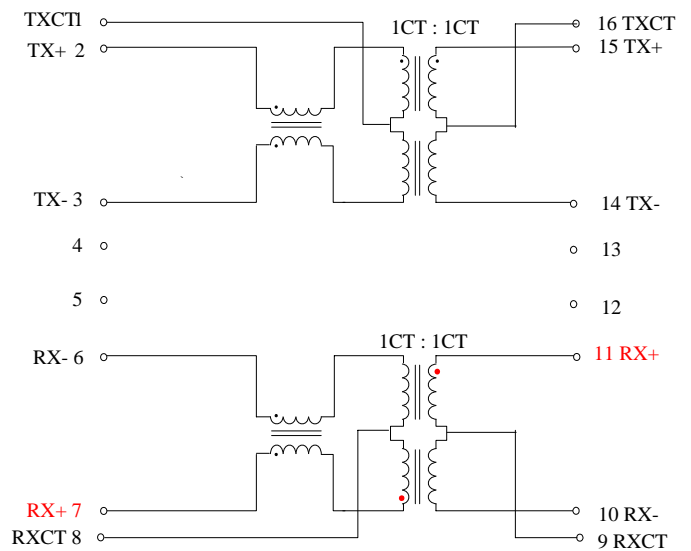
H16137MC



H16138MC



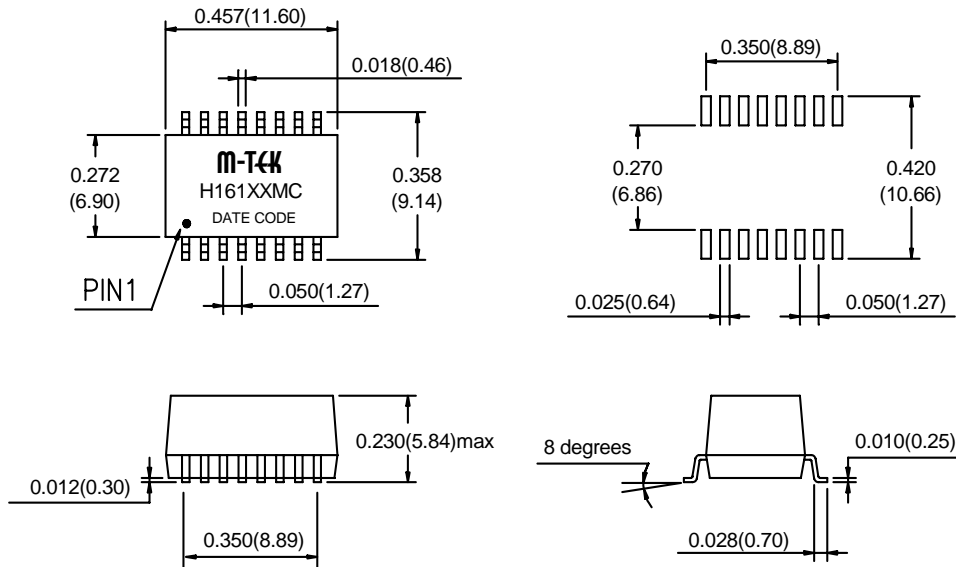
H16139MC



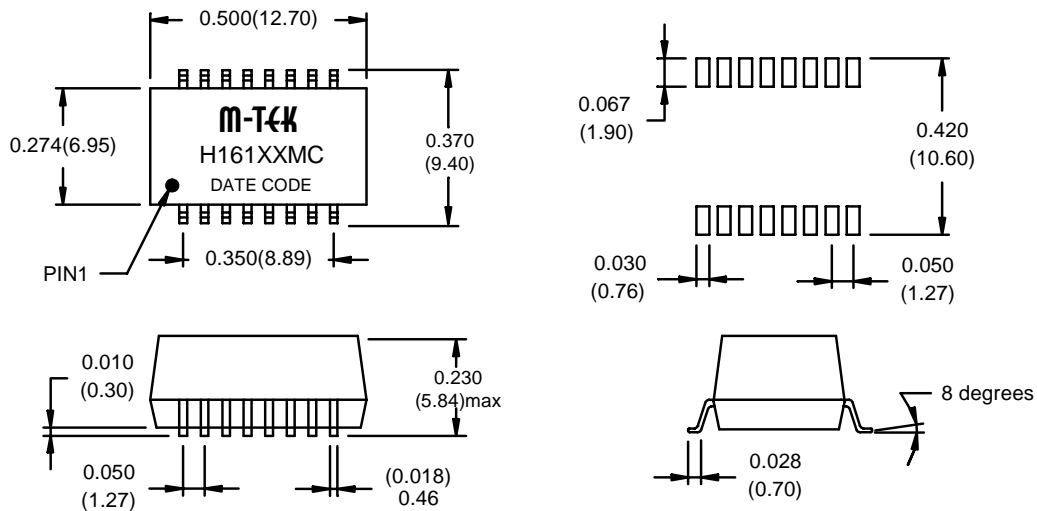
IO/IOO BASE-T TRANSFORMER MODULES

MECHANICAL SPECIFICATIONS (Continued)

H16125MC-H16126MC



H161XXMC



DIMENSIONS : INCHES/(mm) UNLESS OTHERWISE SPECIFIED ALL TOLERANCES ARE $\pm 0.010(0.25)$.

Head Office
MAGTEK TECHNOLOGY INC.
Tel : 886-3-3694878
Fax: 886-3-3690778

ShenZhen Office
MAGTEK TECHNOLOGY INC.
Tel : 286-755-83347151
Fax: 286-755-83363151

China Factory
MAGTEK INTERNATIONAL INC.
Tel : 286-769-86636536
Fax: 286-769-86326256